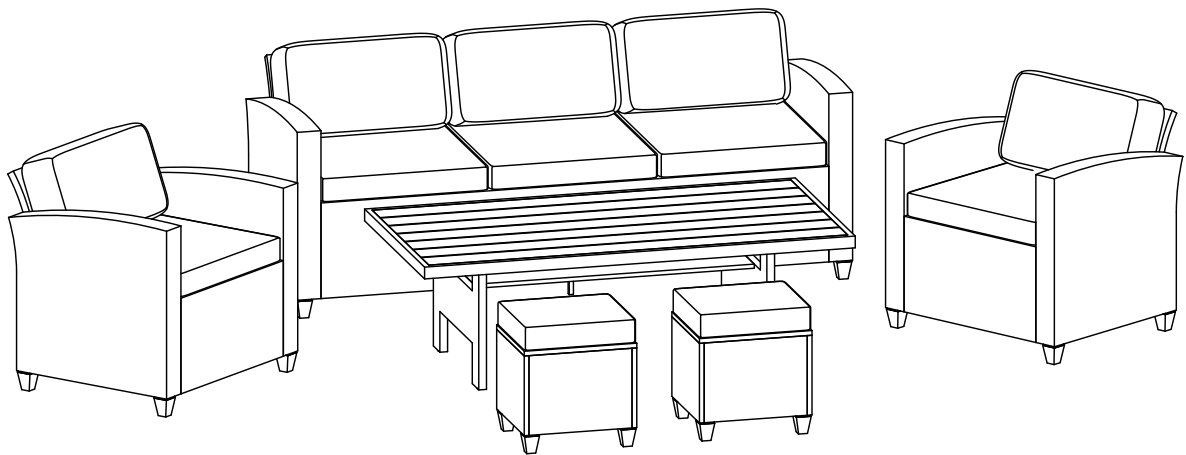
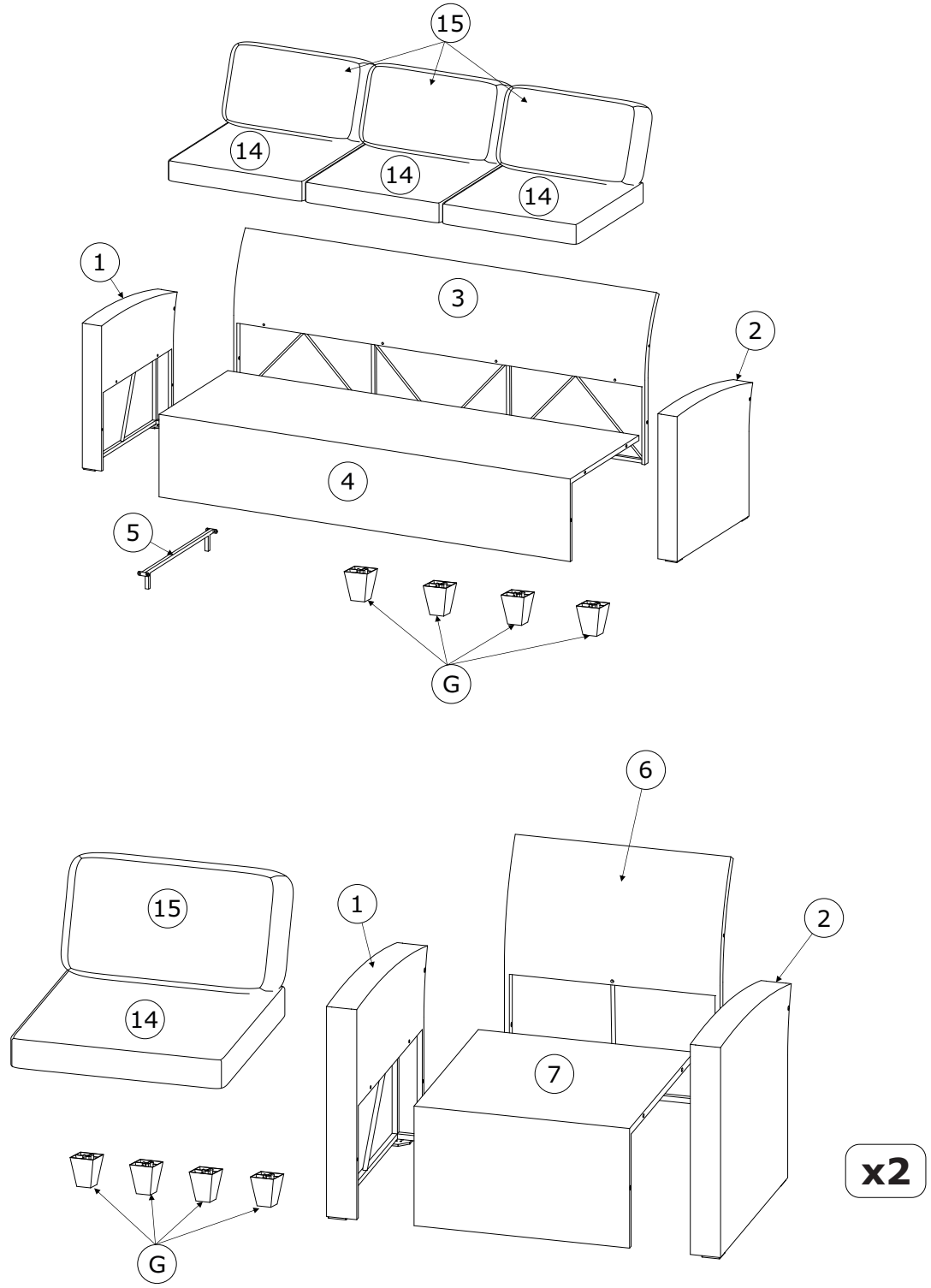
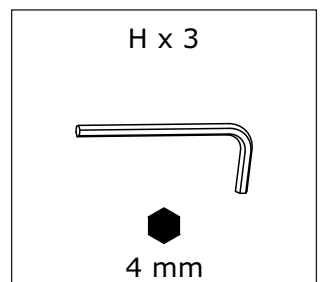
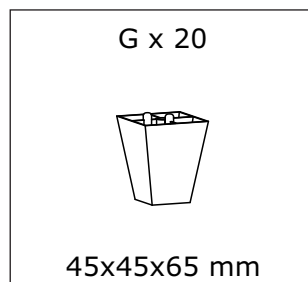
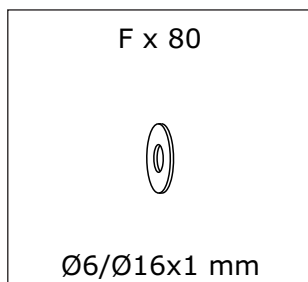
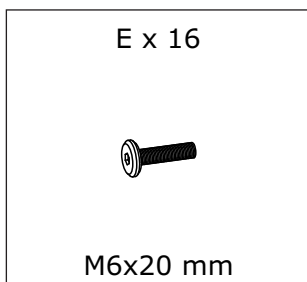
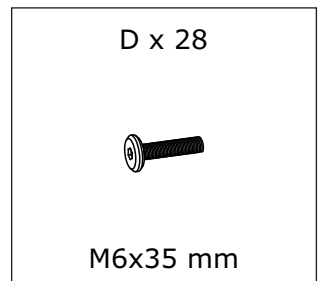
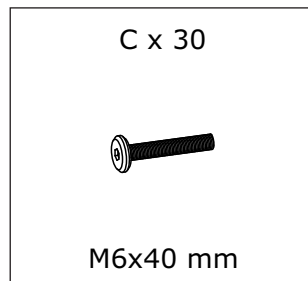
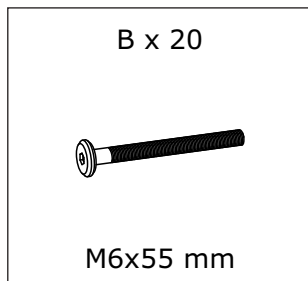
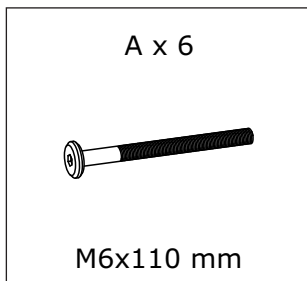
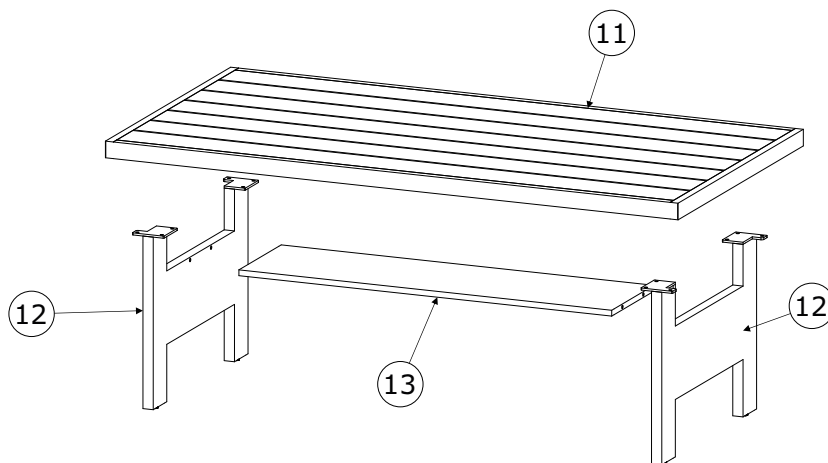
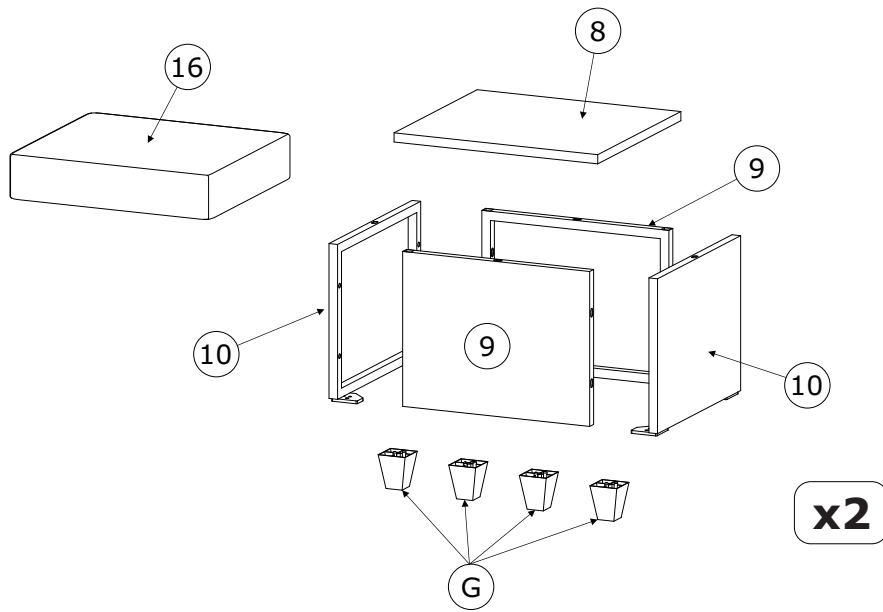


CAMIO Sofagruppe 3-1-1






① x 3	② x 3	③ x 1	④ x 1	⑤ x 1	⑥ x 2	⑦ x 2	⑧ x 2
⑨ x 4	⑩ x 4	⑪ x 1	⑫ x 2	⑬ x 1	⑭ x 5	⑮ x 5	⑯ x 2

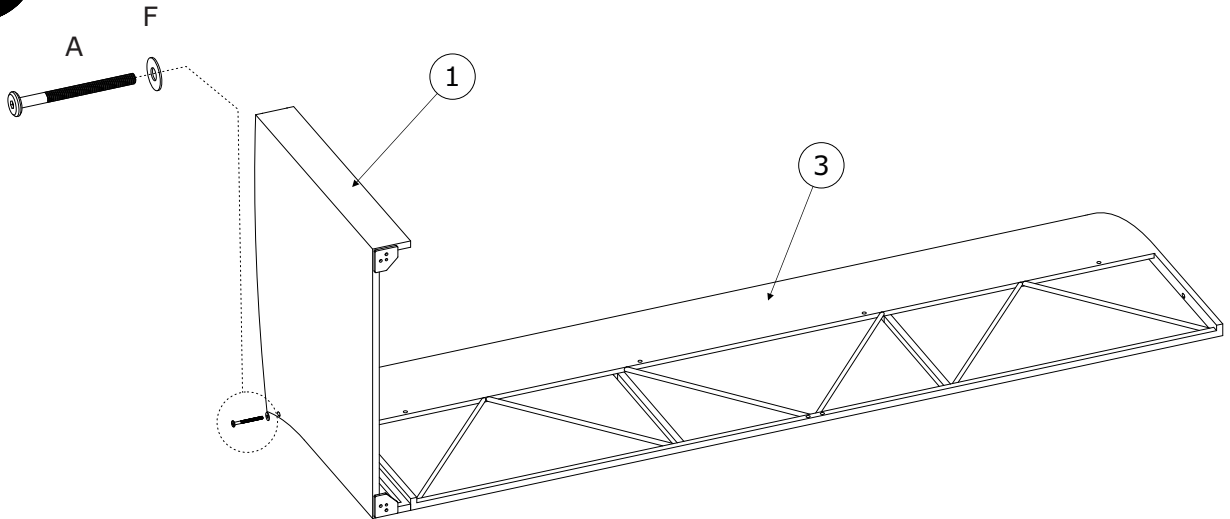







1

A x 1  M6x110 mm	F x 1  Ø6/Ø16x1 mm	H x 1  4 mm	
---	---	--	--

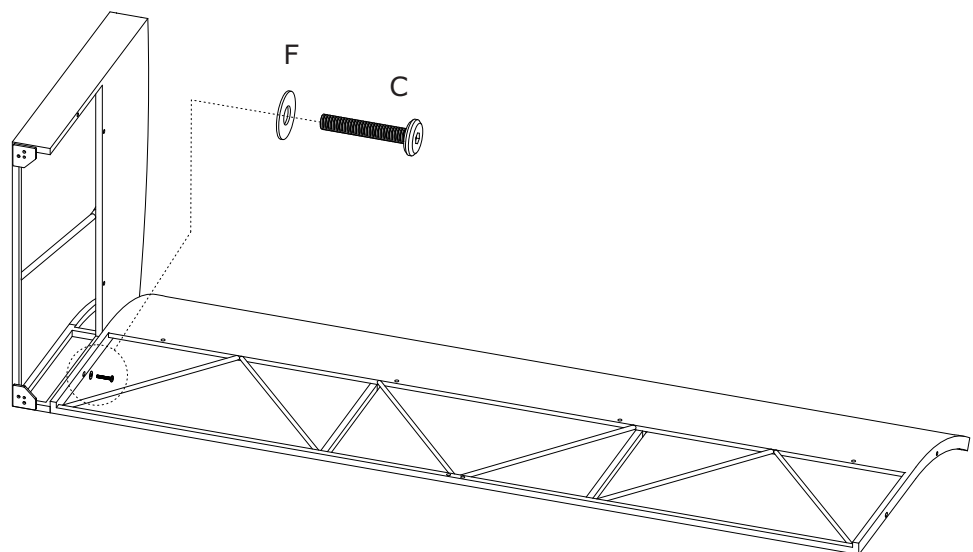
80%





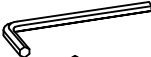
2

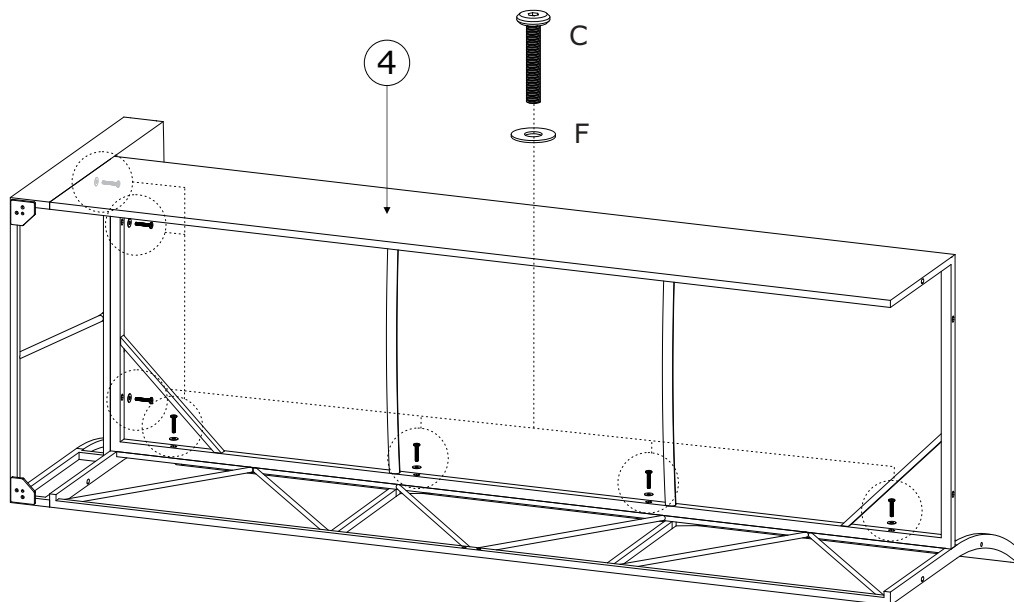
C x 1  M6x40 mm	F x 1  Ø6xØ16x1 mm	H x 1  4 mm	
--	---	--	--

80%






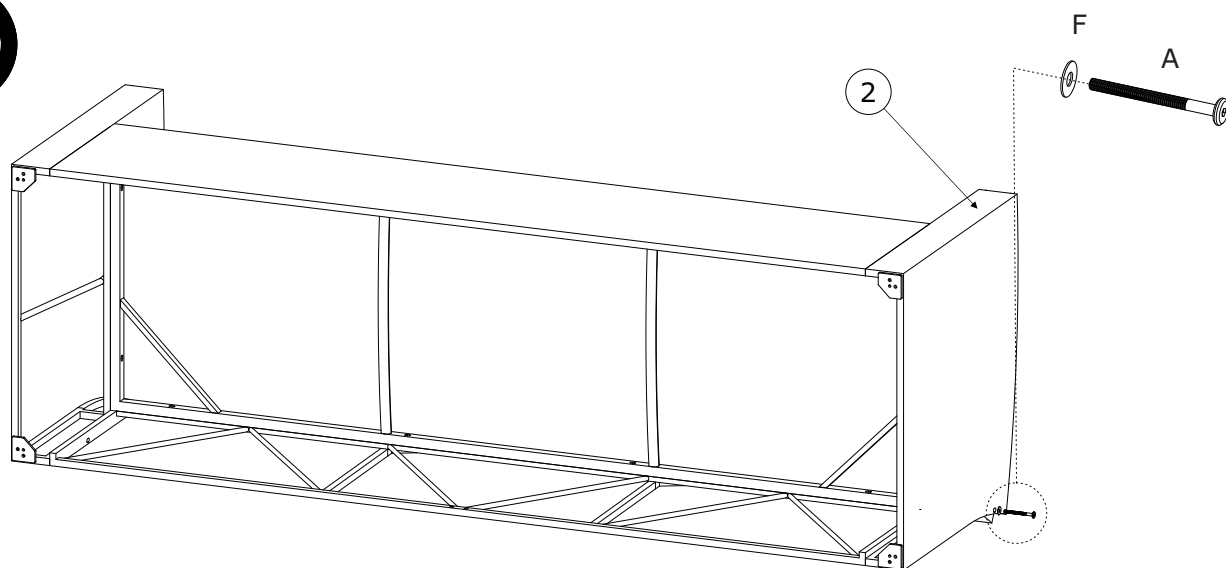
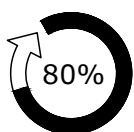
3

C x 7  M6x40 mm	F x 7  Ø6/Ø16x1 mm	H x 1  4 mm	
--	---	--	--



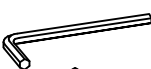


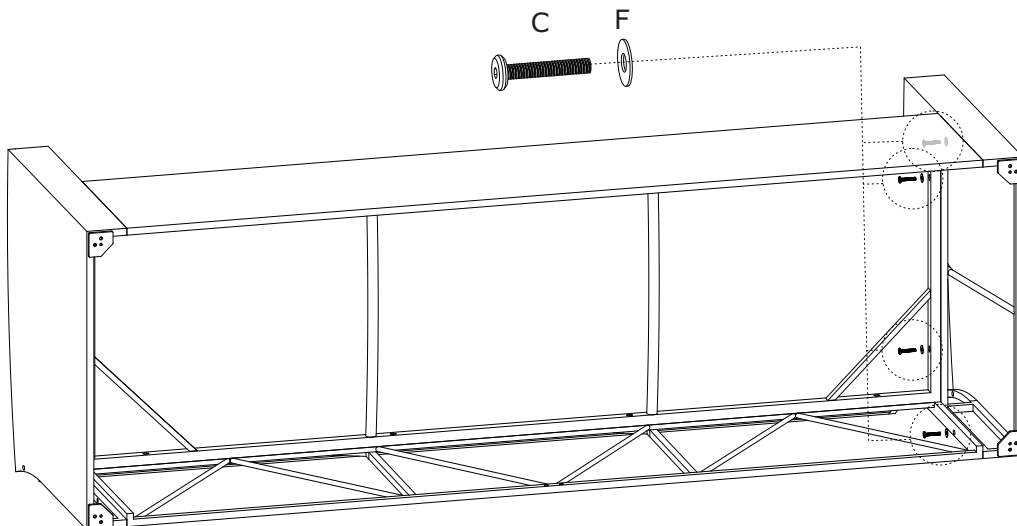
4

A x 1  M6x110 mm	F x 1  Ø6/Ø16x1 mm	H x 1  4 mm	
---	---	--	--






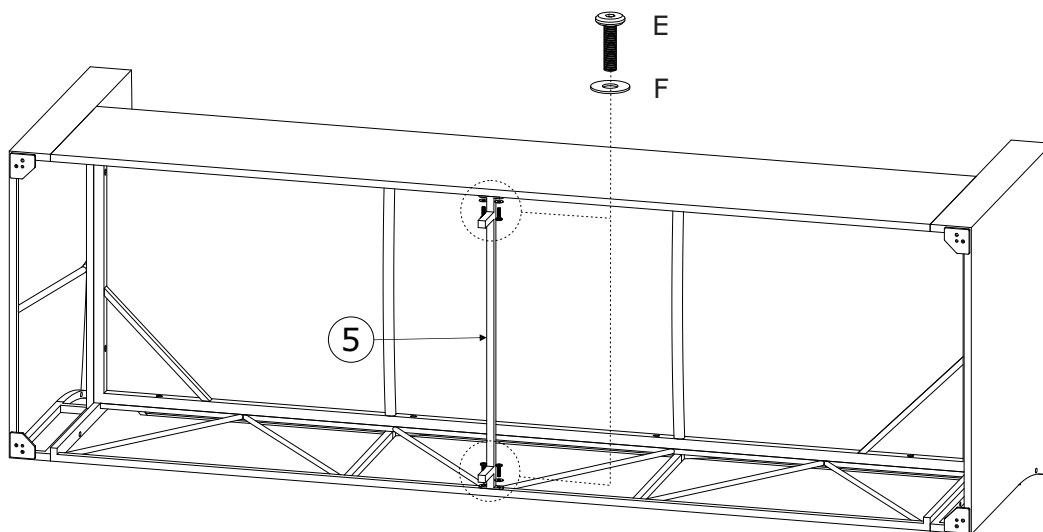
5

C x 4  M6x40 mm	F x 4  Ø6/Ø16x1 mm	H x 1  4 mm	
--	---	--	--



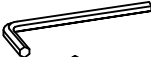


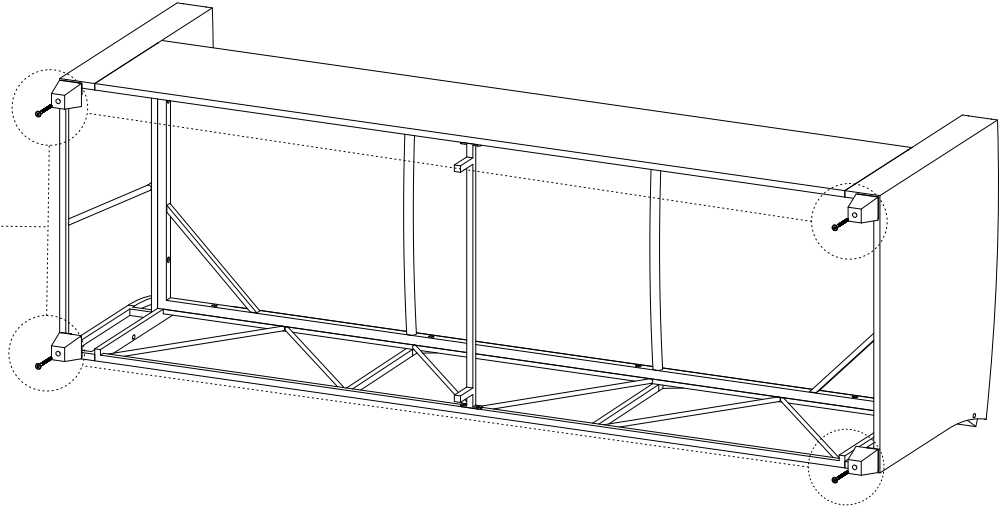
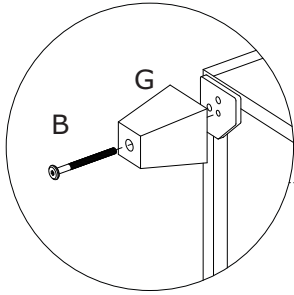
6

E x 4  M6x20 mm	F x 4  Ø6/Ø16x1 mm	H x 1  4 mm	
--	---	--	--




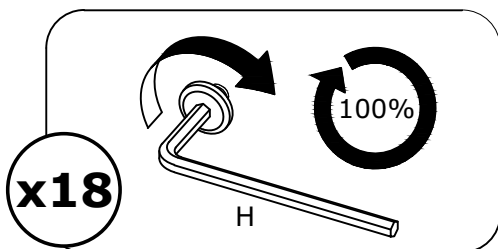
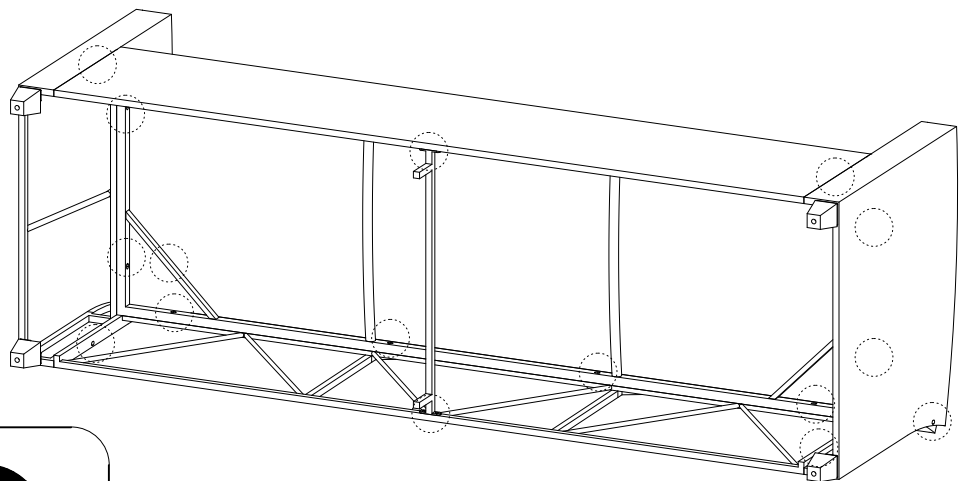
7

B x 4  M6x55 mm	G x 4  45x45x65 mm	H x 1  4 mm	
--	---	--	--

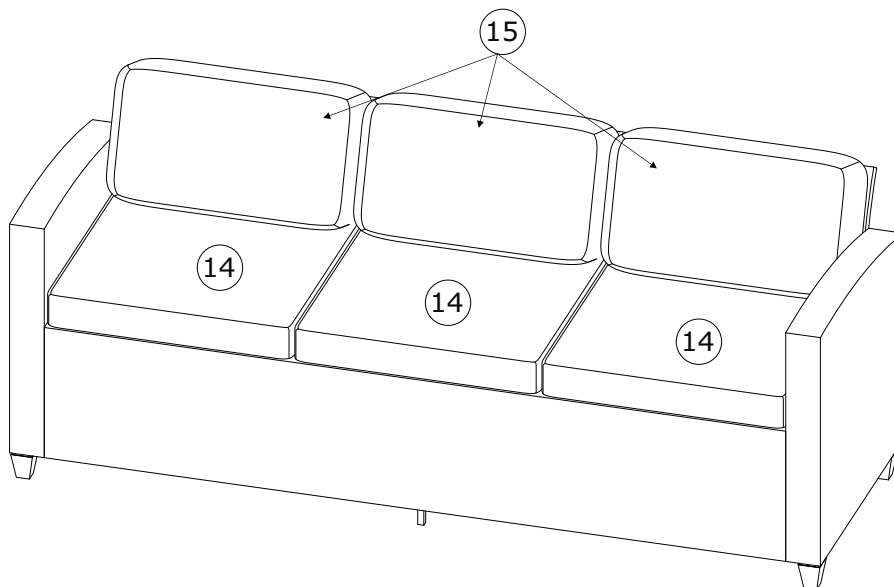


8



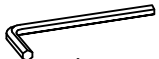
H x 1  4 mm	
--	--



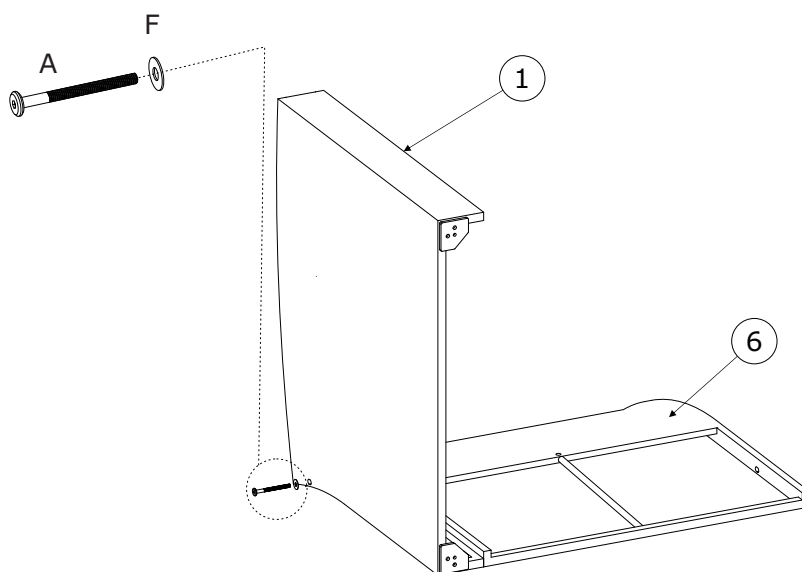
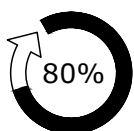
9





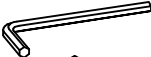
10

A x 1  M6x110 mm	F x 1  Ø6/Ø16x1 mm	H x 1  4 mm	
---	---	--	--

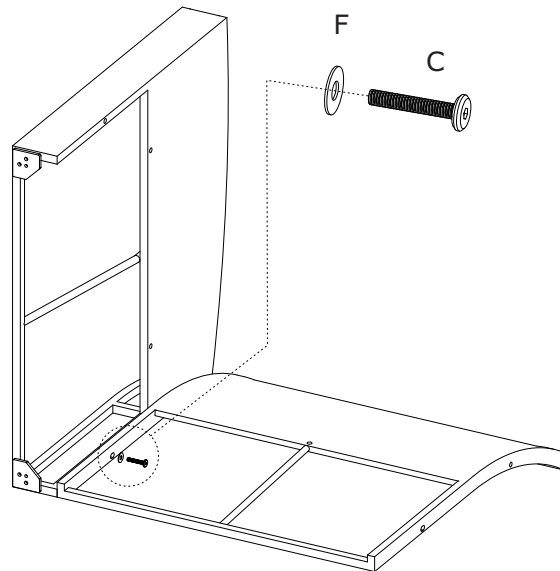
x2





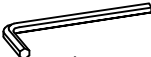
11

C x 1  M6x40 mm	F x 1  Ø6/Ø16x1 mm	H x 1  4 mm	
--	---	--	--

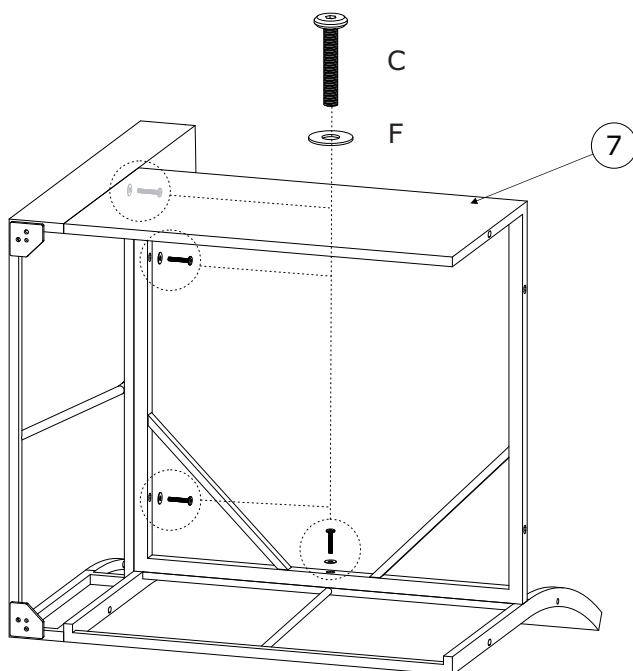
x2





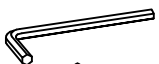
12

C x 4  M6x40 mm	F x 4  Ø6/Ø16x1 mm	H x 1  4 mm	
--	---	--	--

x2

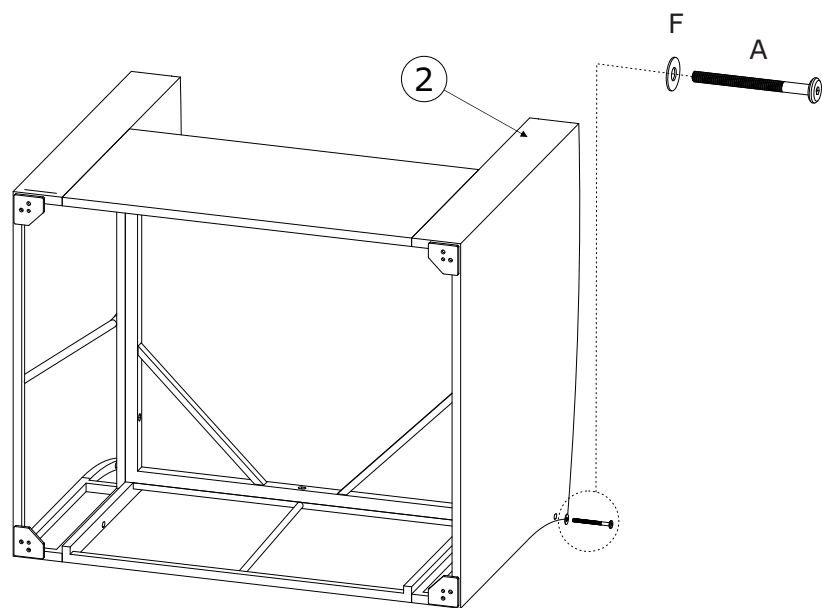


13




A x 1  M6x110 mm	F x 1  Ø6/Ø16x1 mm	H x 1  4 mm	
---	---	--	--



x2

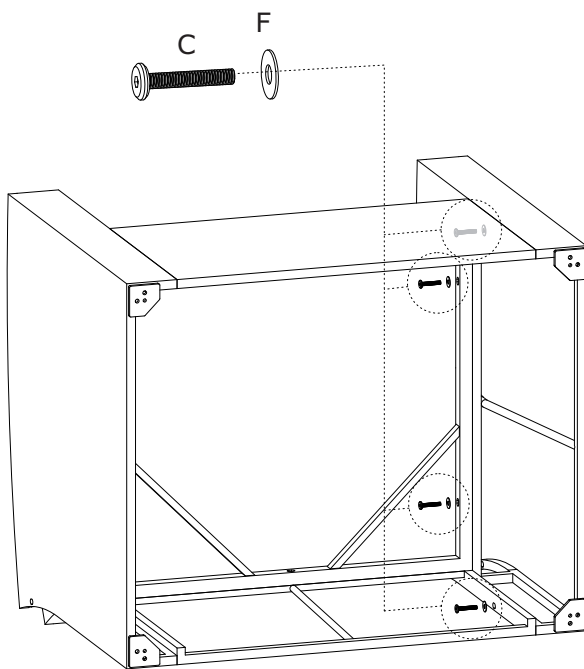


14



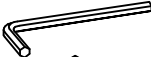
C x 4  M6x40 mm	F x 4  Ø6/Ø16x1 mm	H x 1  4 mm	
--	---	--	--



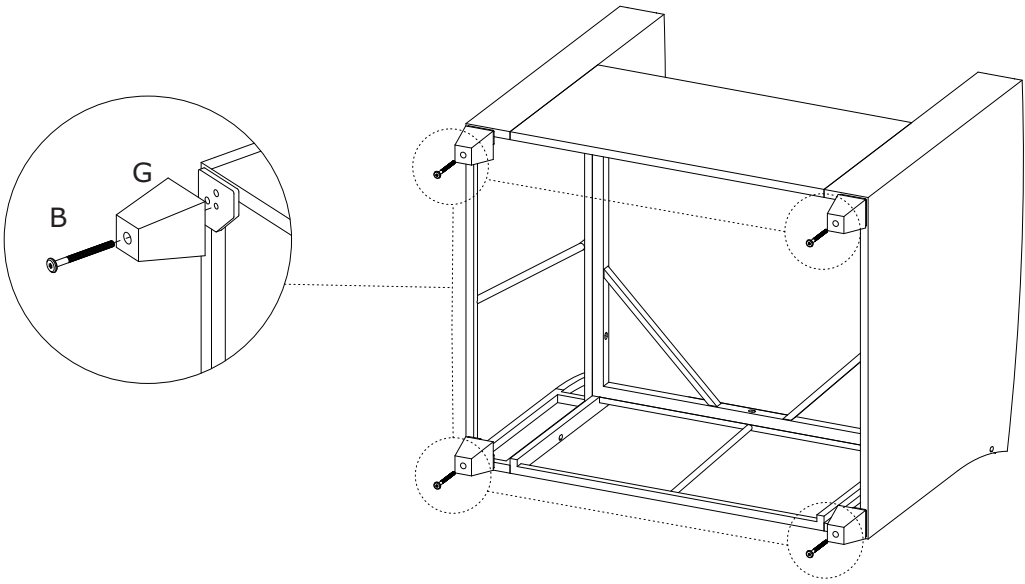
x2



15

<p>B x 4</p>  <p>M6x55 mm</p>	<p>G x 4</p>  <p>45x45x65 mm</p>	<p>H x 1</p>  <p>4 mm</p>	
--	---	--	--

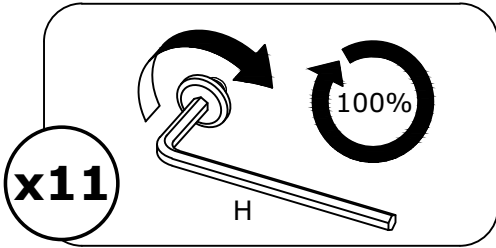
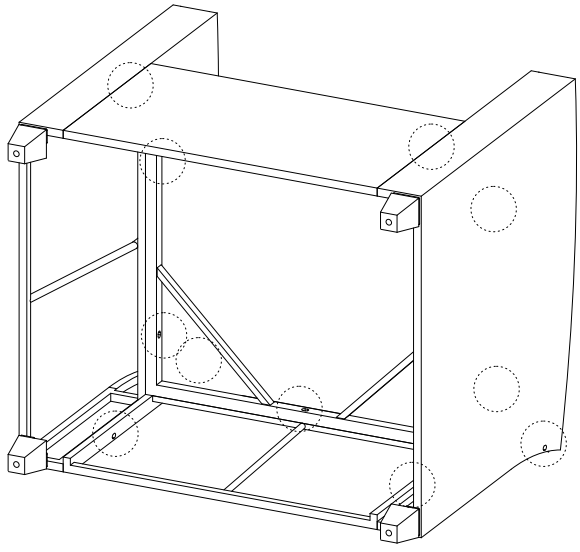
x2



16

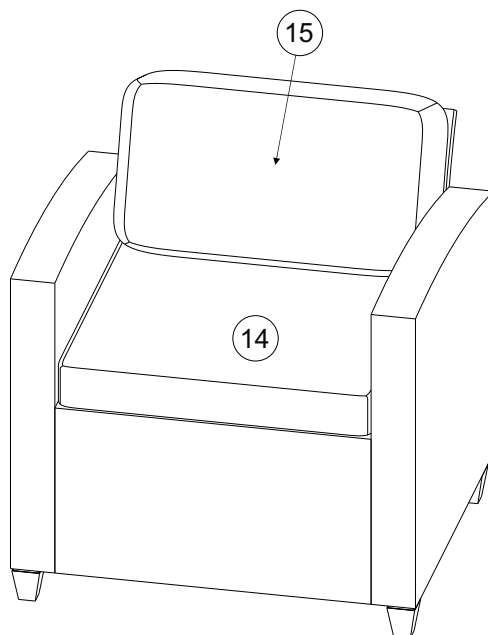
<p>H x 1</p>  <p>4 mm</p>	
--	--

x2






17

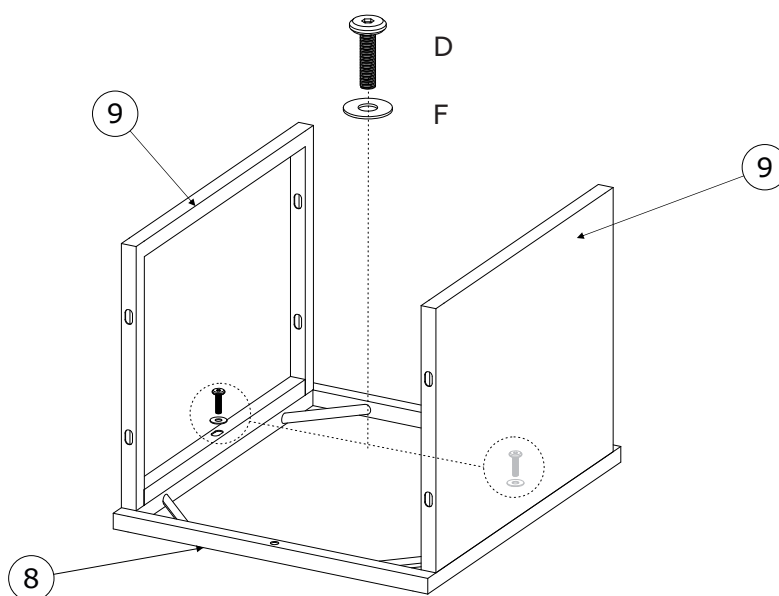
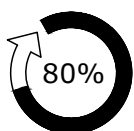
x2






18

D x 2  M6x35 mm	F x 2  Ø6/Ø16x1 mm	H x 1  4 mm	
--	---	--	--

x2

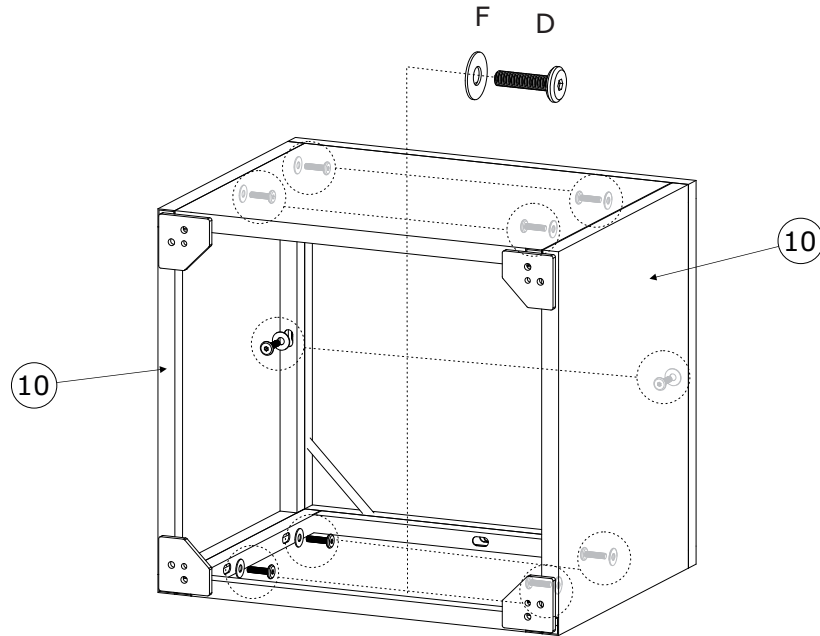


19




D x 10  M6x35 mm	F x 10  Ø6/Ø16x1 mm	H x 1  4 mm	
---	--	--	--



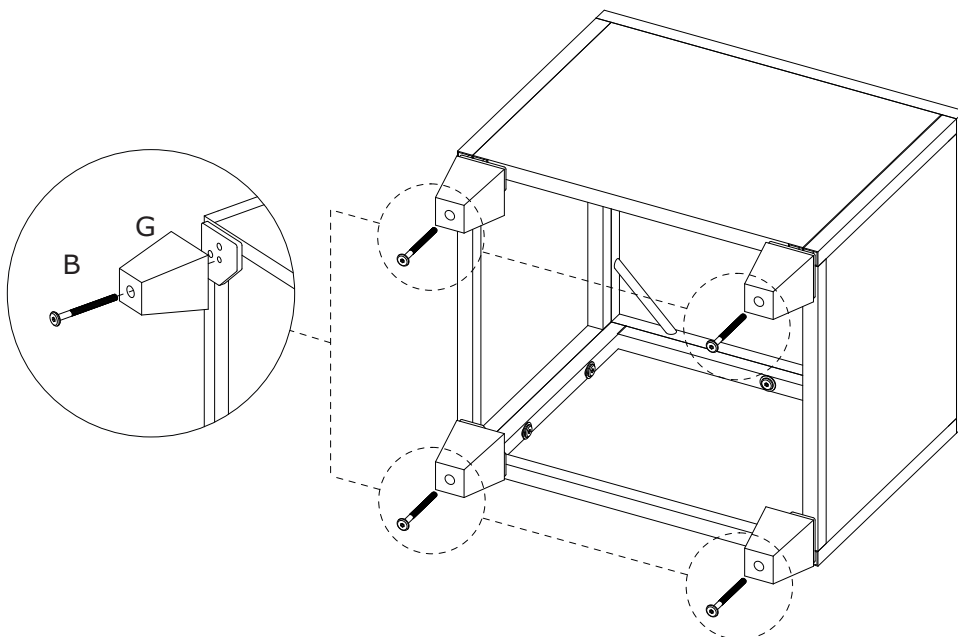
x2



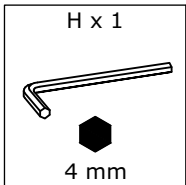
20

B x 4  M6x55 mm	G x 4  45x45x65 mm	H x 1  4 mm	
--	---	--	--

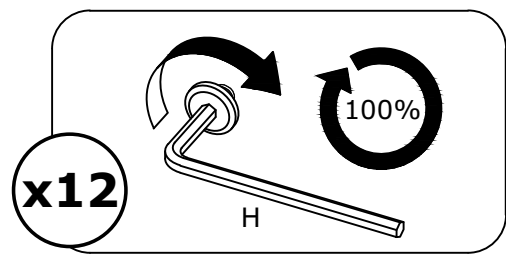
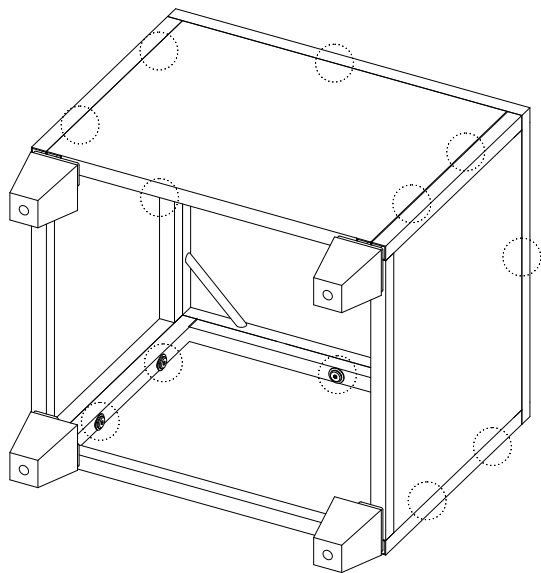
x2



21

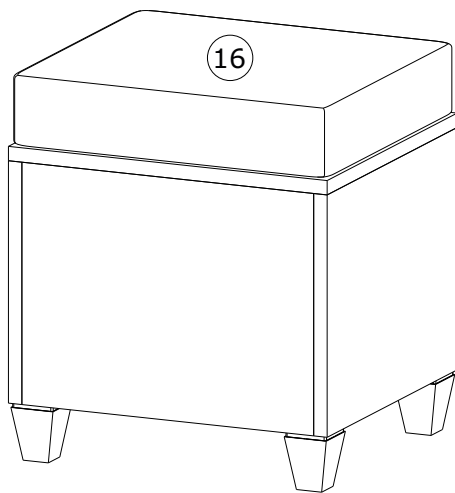


x2






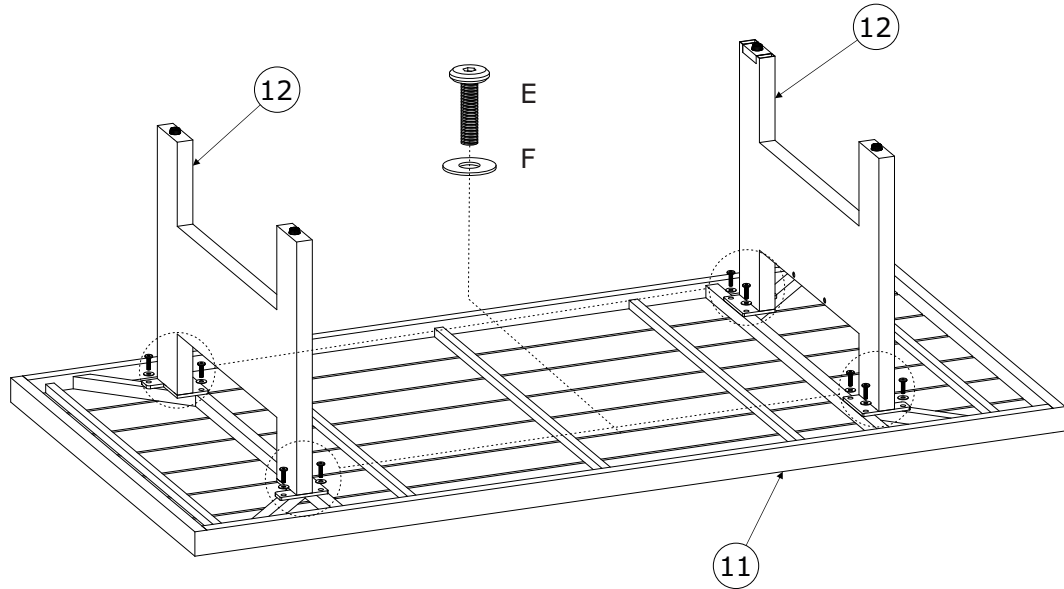
22

x2



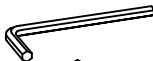


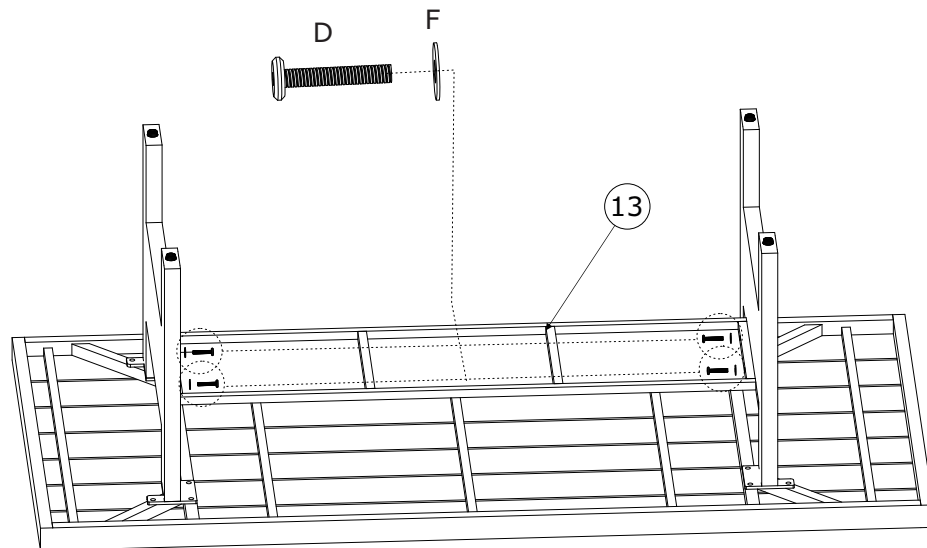
23

E x 12  M6x20 mm	F x 12  Ø6/Ø16x1 mm	H x 1  4 mm	
---	--	--	--

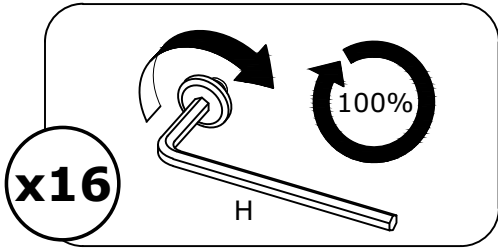
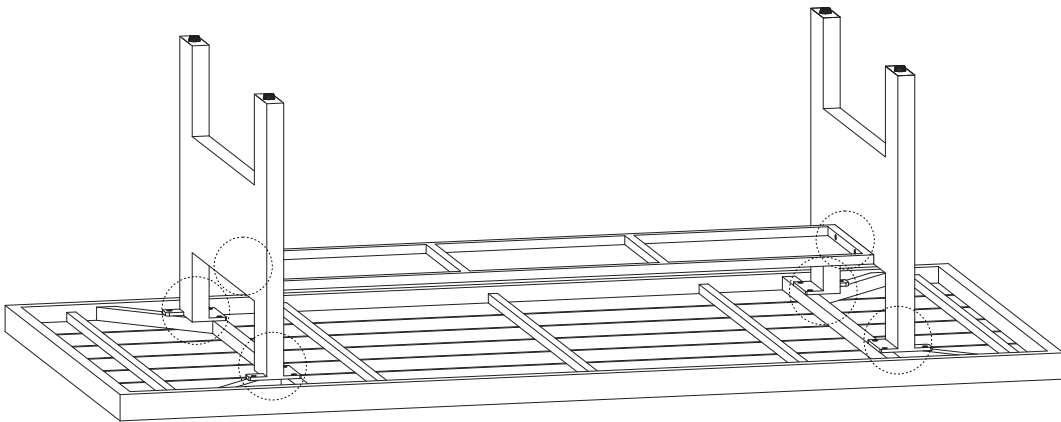
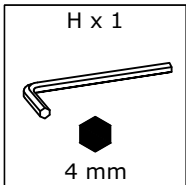


24

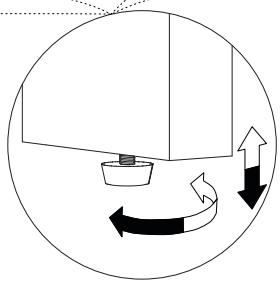
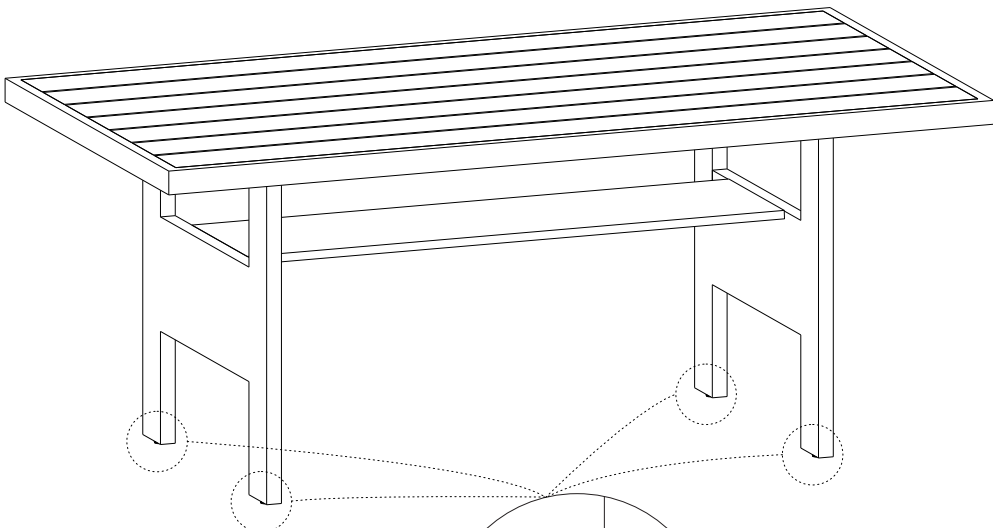
D x 4  M6x35 mm	F x 4  Ø6/Ø16x1 mm	H x 1  4 mm	
--	---	--	--



25



26



27

